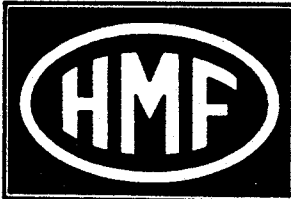




HMF
S1450
Technical Data
Z001191



| | Rev. | No. |
|--|----------|---------|
| Technical data | 06-01-92 | 31 4910 |
| Lifting capacity diagram, 1453-K1 | 02-07-91 | 31 4920 |
| Lifting capacity diagram, 1453-K2 | 02-07-91 | 31 4921 |
| Lifting capacity diagram, 1453-K3 | 02-07-91 | 31 4922 |
| Lifting capacity diagram, 1453-K4 | 02-07-91 | 31 4923 |
| Jib extensions, K1,K2,K3,K4 | 01-11-92 | 31 4924 |
| Lifting cap. at various boom positions 1453-K1 | 24-11-92 | 31 4935 |
| Lifting cap. at various boom positions 1453-K2 | 02-07-91 | 31 4936 |
| Lifting cap. at various boom positions 1453-K3 | 01-06-93 | 31 4937 |
| Lifting cap. at various boom positions 1453-K4 | 01-06-93 | 31 4938 |
| Dimension sketch | 23-09-93 | 31 4940 |
| Lifting height at crane pillar | 02-07-91 | 31 4941 |
| Dimension sketch, swing-up stab. leg double extension | 01-06-93 | 31 4950 |
| Dimension sketch, winch PL4 | 17-11-92 | 31 4951 |
| Stabilizer cylinders | 15-09-93 | 31 4952 |
| Dimension sketch, top seat- TS 7 | 01-11-95 | 31 4953 |
| Dimension sketch, stand up controls - HS 4 | 01-11-93 | 31 4954 |
| Centres of gravity | 02-07-91 | 31 4975 |
| Centres of gravity of extensions, K1,K2,K3,K4 | 01-11-92 | 31 4976 |



| Performance | Unit | 1453-K1 | 1453-K2 | 1453-K3 | 1453-K4 |
|-------------------------------------|---------|--|-----------------------------------|--|---|
| Load moment | tm | 14.2 | 13.6 | 13.2 | 11.5 |
| Hydraulic reach | m | 6.4 | 8.4 | 10.4 | 12.4 |
| Hydraulic telescopic movement | mm | 1800 | 3700 | 5600 | 7500 |
| Reach with manual extensions | m | 13.9 | 14.0 | 14.1 | 14.2 |
| Lifting capacity, hydraulic | kg-m | 3100-4.6 2220-6.4 | 2930-4.7 2070-6.5 1600-8.4 | 2770- 4.8 1925- 6.6 1450- 8.5 1175-10.4 | 2375- 4.9 1625- 6.7 1200- 8.6 950-10.5 800-12.4 |
| Lifting capacity, manual extensions | kg-m | 1650- 8.3 1300-10.1 900-12.0 550-13.9 | 1250-10.3 900-12.1 550-14.0 | 850-12.3 550-14.1 | 550-14.2 |
| Slewing torque | kgm | 2000 | 2000 | 2000 | 2000 |
| Slewing angle | degrees | 408 | 408 | 408 | 408 |
| Max. heel at max. load moment | degrees | 5 | 5 | 5 | 5 |

Measures

| | | | | | |
|----------------------------------|----|------|------|------|------|
| Height above chassis when folded | mm | 2300 | 2300 | 2300 | 2300 |
| Width when folded | mm | 2470 | 2470 | 2470 | 2470 |
| Length, without extra valves | mm | 795 | 795 | 795 | 840 |
| Length, with extra valves | mm | 925 | 925 | 925 | 970 |
| Stabilizer spread, standard | mm | 4520 | 4520 | 4520 | 4520 |
| Stabilizer spread, double ext. | mm | 5700 | 5700 | 5700 | 5700 |

Working speeds

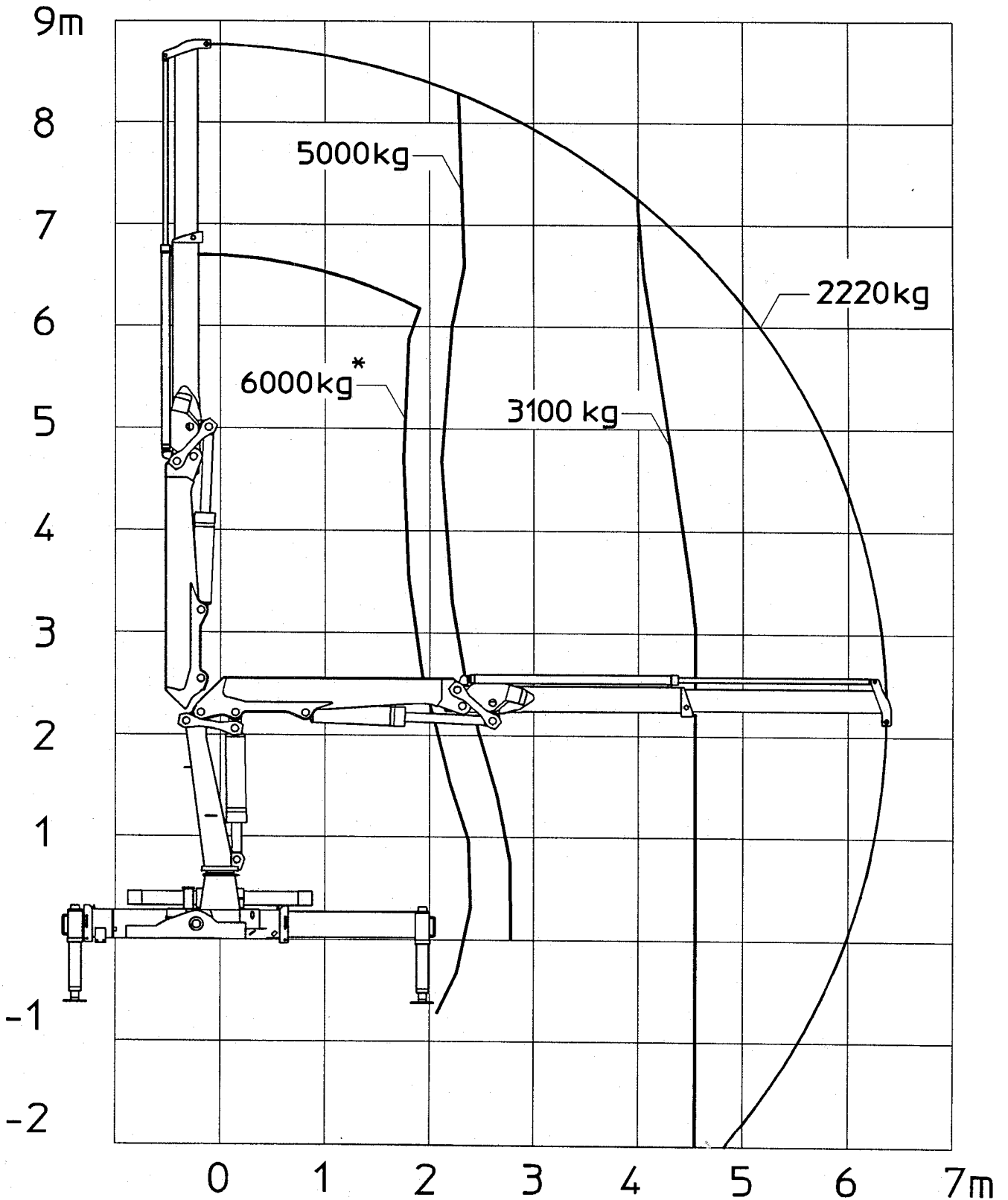
| | | | | | |
|-----------------------------|-----------|------|------|------|------|
| Slewing speed | degrees/s | 24 | 24 | 24 | 24 |
| Lifting speed at max. reach | m/s | 0.74 | 0.96 | 1.18 | 1.12 |

Weights

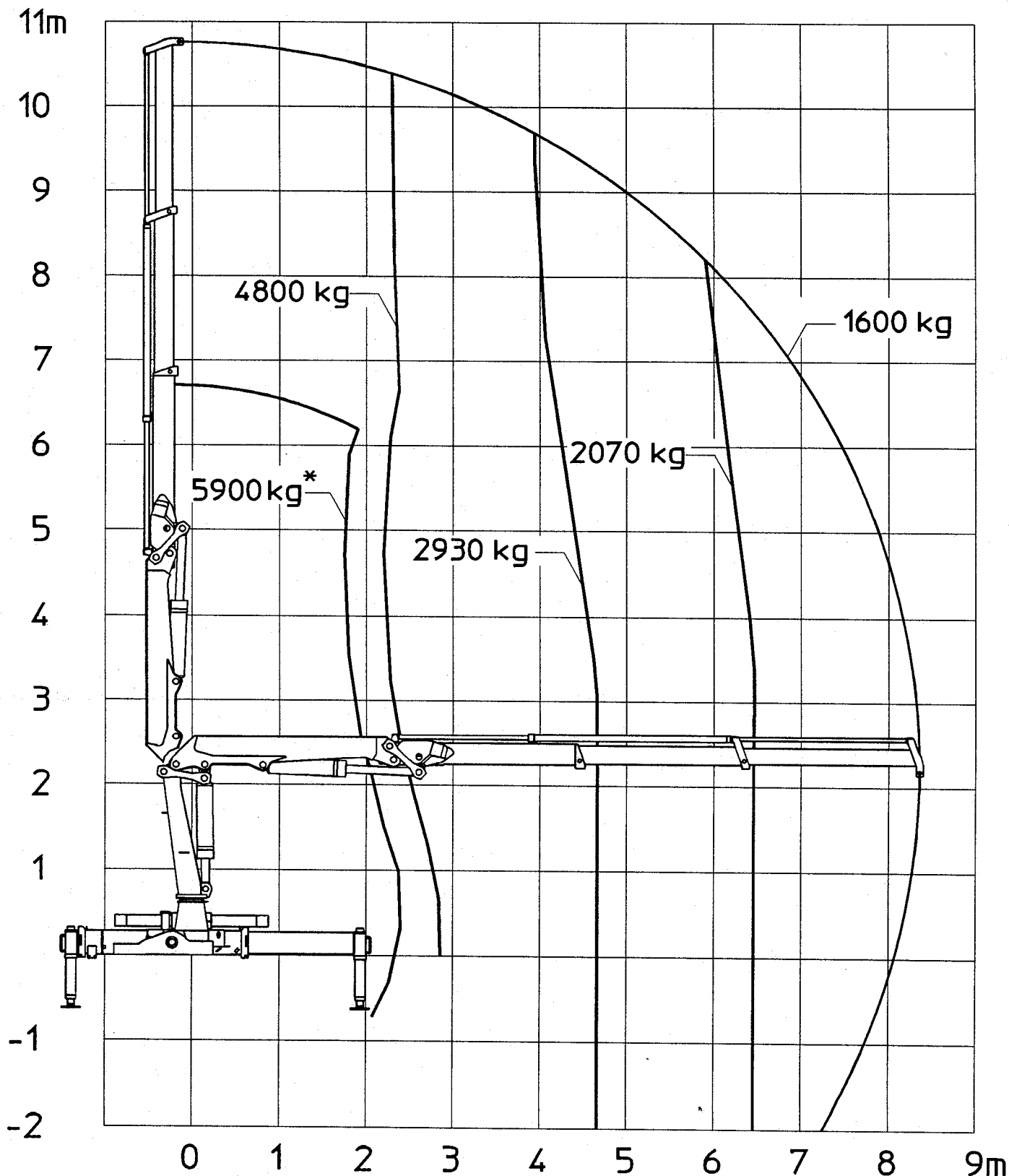
| | | | | | |
|-----------------------------------|----|------|------|------|------|
| Standard loader, excl. stab. legs | kg | 1630 | 1770 | 1900 | 2000 |
| Stabilizer legs, standard | kg | 225 | 225 | 225 | 225 |
| Stabilizer legs, double ext. | kg | 340 | 340 | 340 | 340 |
| Mounting bolts | kg | 53 | 53 | 53 | 53 |
| Oil in base | kg | 40 | 40 | 40 | 40 |

Power consumption / pump performance

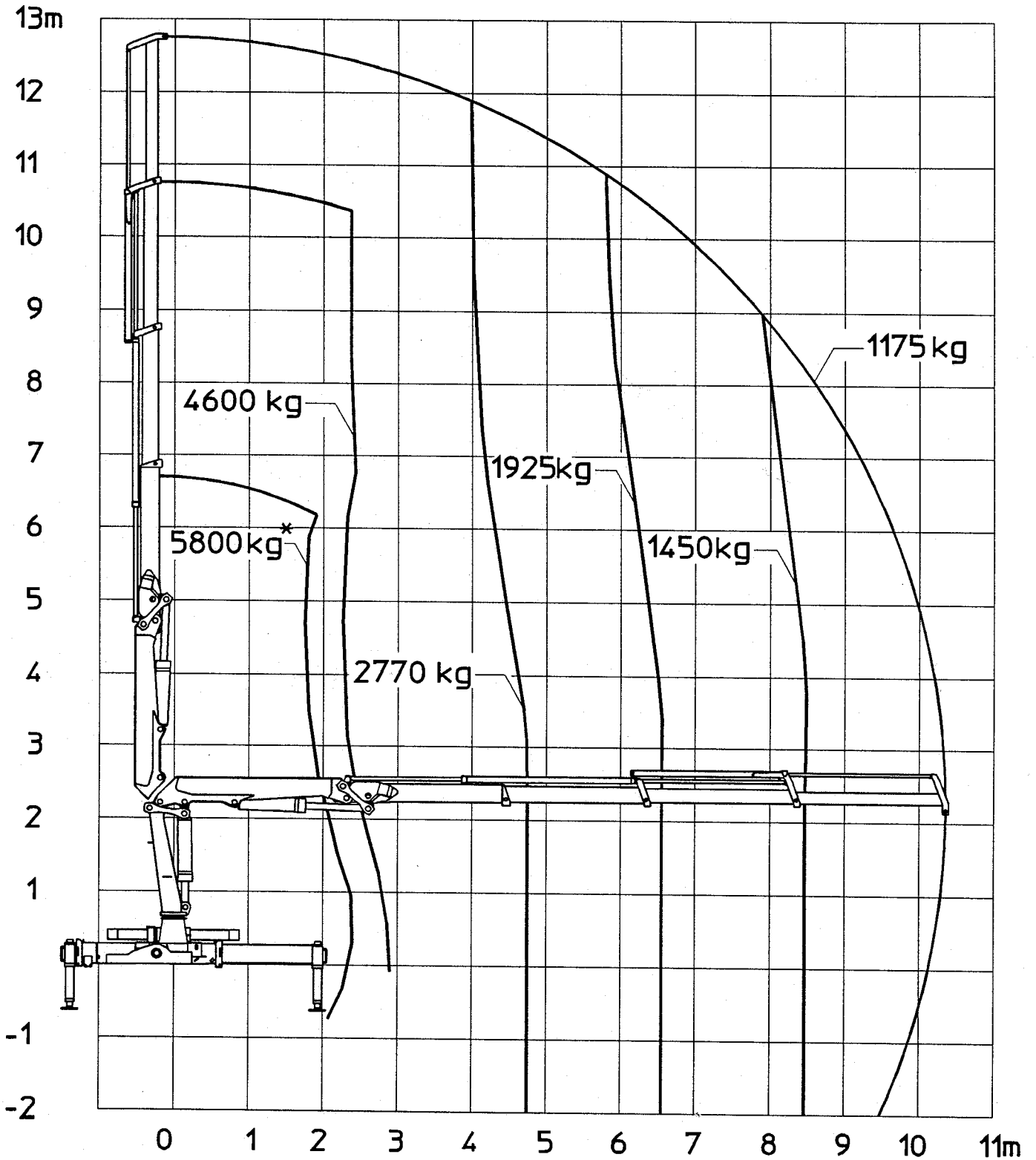
| | | | | | |
|----------------------|-------|----|----|----|----|
| Working pressure | MPa | 24 | 24 | 24 | 22 |
| Pump performance | l/min | 50 | 50 | 50 | 40 |
| Power consumption | Kw | 20 | 20 | 20 | 15 |
| Oil capacity in base | l | 48 | 48 | 48 | 48 |



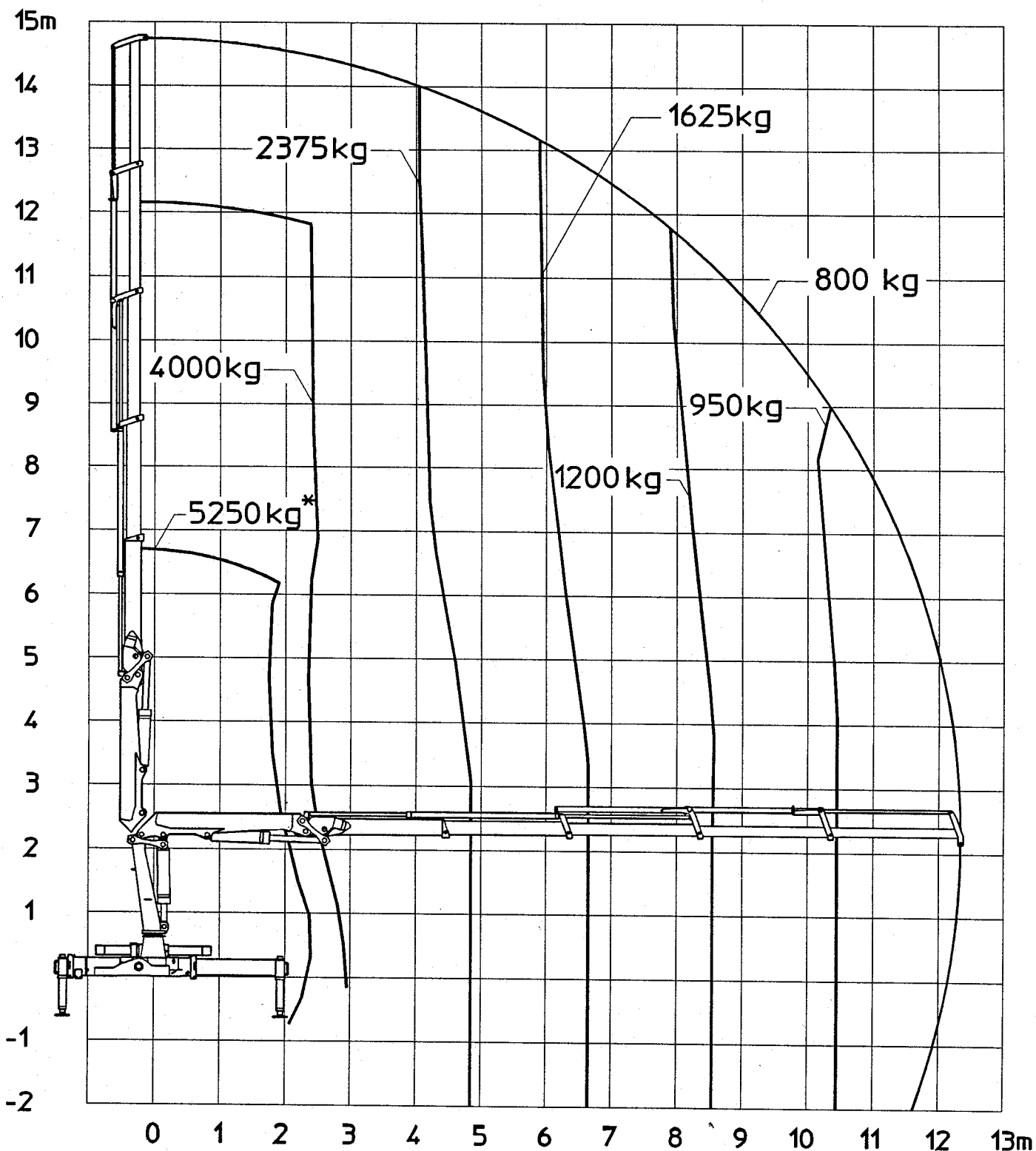
* Ekstraudstyr
Optional Extra
Sonderausrüstung



* Ekstraudstyr
Optional Extra
Sonderausrüstung



* Ekstraudstyr
Optional Extra
Sonderausrüstung



* Ekstraudstyr
Optional Extra
Sonderausrüstung



TECHNICAL INFORMATION, SERIES 1450

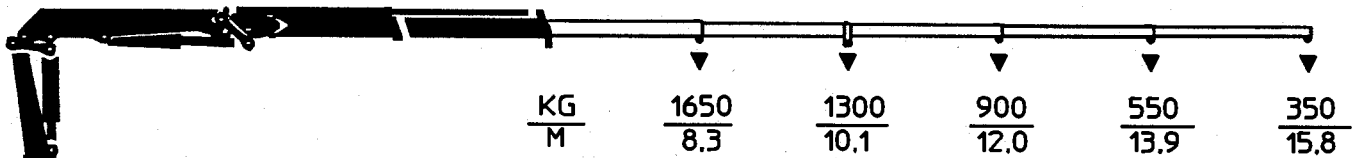
3 1 4924

Forlængerarme, K1, K2, K3, K4
 Jib Extensions, K1, K2, K3, K4
 Verlängerungen, K1, K2, K3, K4

Side:
 Page: 1 (1)
 Seite:
 Date:
 Datum: 01-11-92

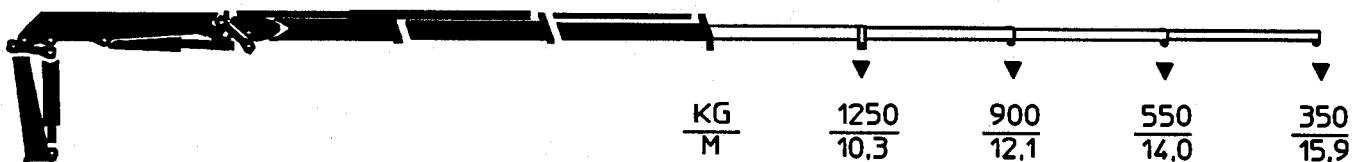
1453 K1

| | | | | | |
|------|-----------|-----------|-----------|-----------|-----------|
| No. | 61 73 710 | 61 73 720 | 61 73 730 | 61 73 740 | 61 74 270 |
| Dim. | 189 / 104 | 161 / 86 | 144 / 69 | 128 / 54 | 114 / 40 |



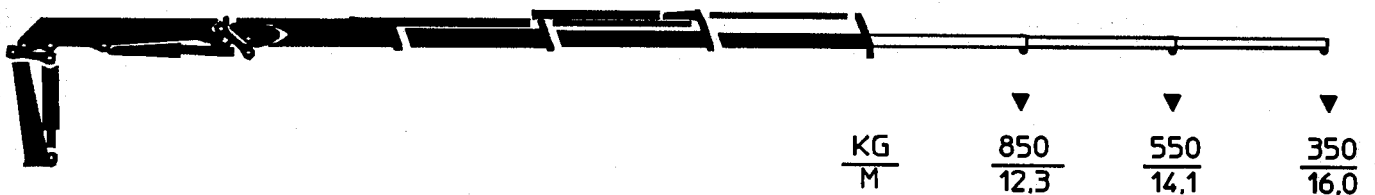
1453 K2

| | | | | |
|------|-----------|-----------|-----------|-----------|
| No. | 61 73 720 | 61 73 730 | 61 73 740 | 61 74 270 |
| Dim. | 161 / 86 | 144 / 69 | 128 / 54 | 114 / 40 |



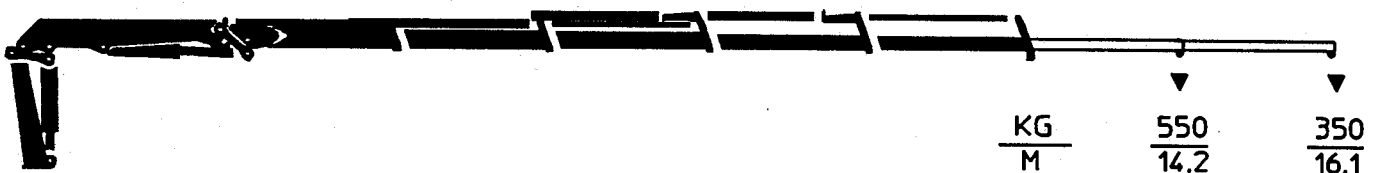
1453 K3

| | | | |
|------|-----------|-----------|-----------|
| No. | 61 73 730 | 61 73 740 | 61 74 270 |
| Dim. | 144 / 69 | 128 / 54 | 114 / 40 |



1453 K4

| | | |
|------|-----------|-----------|
| No. | 61 84 590 | 61 74 270 |
| Dim. | 128 / 54 | 114 / 40 |



De angivne belastninger må ikke overskrides.

The loads stated, must not be exceeded.

Die angegebenen Belastungen sollen nicht überschritten werden.



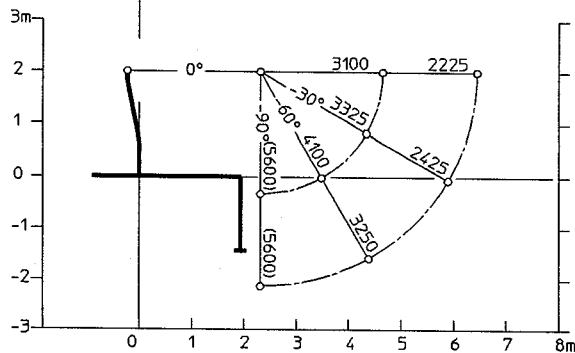
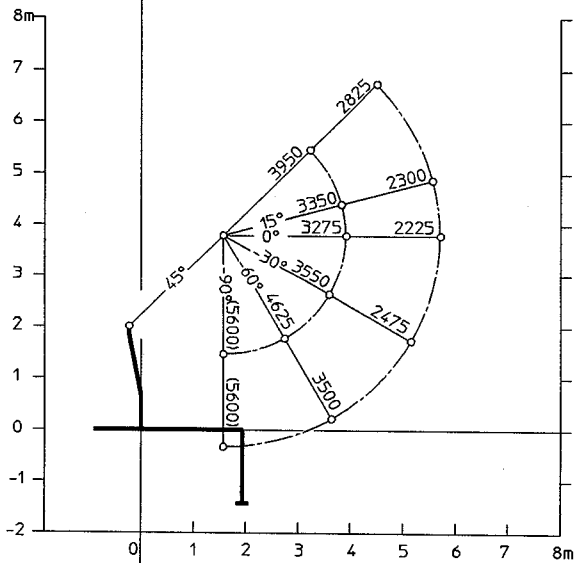
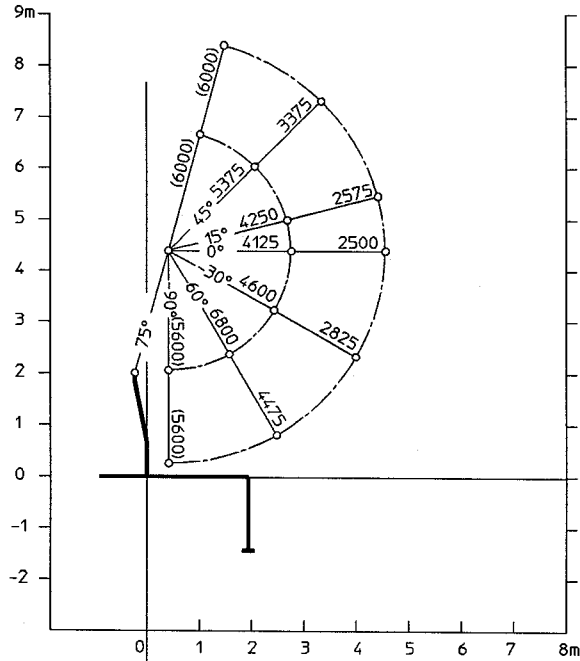
TECHNICAL INFORMATION, SERIES 1450

3 1 4935

Løfteevne ved varierende armstillinger, K1
 Lifting Capacity at Various Boom Positions, K1
 Tragkraft bei verschiedenen Armstellungen, K1

Side: 1 (1)
 Page: 1 (1)

Date: 24-11-92
 Datum: 24-11-92





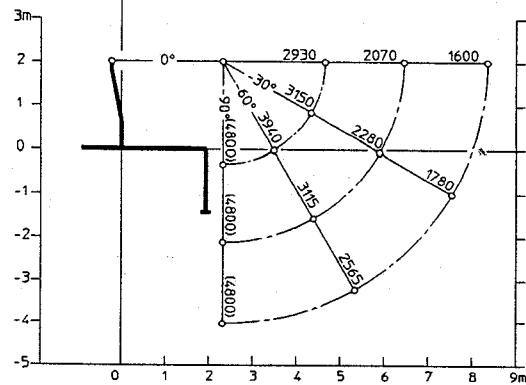
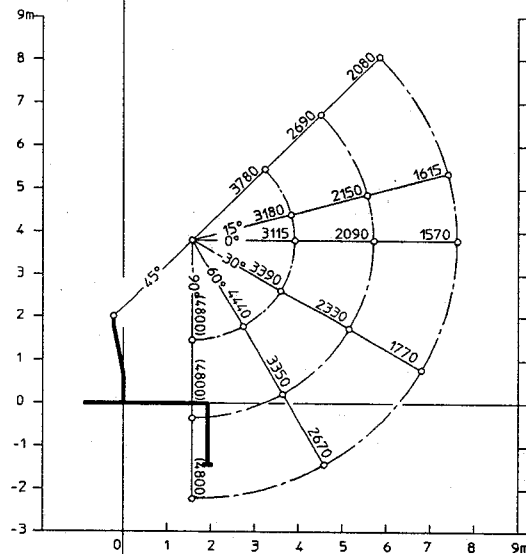
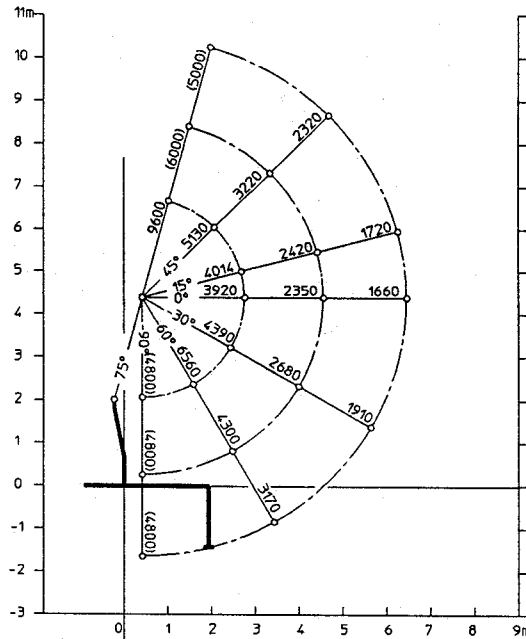
TECHNICAL INFORMATION. SERIES 1450

Løfteevne ved varierende armstillinger, K2
 Lifting Capacity at Various Boom Positions, K2
 Tragkraft bei Verschiedenen Armstellungen, K2

3 1 4936

Side: 1 (1)
 Page: 1 (1)

Date: 02-07-91
 Datum: 02-07-91



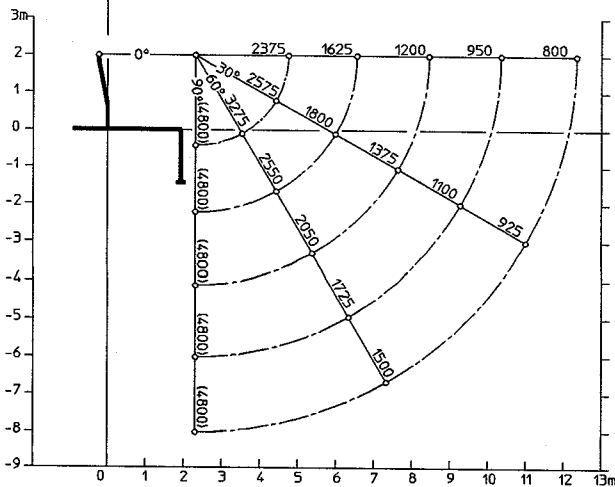
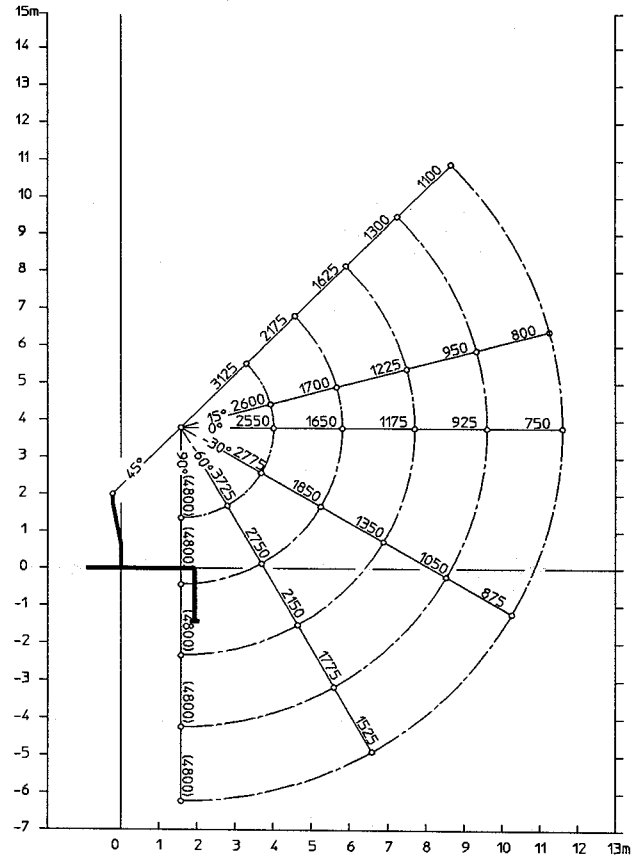
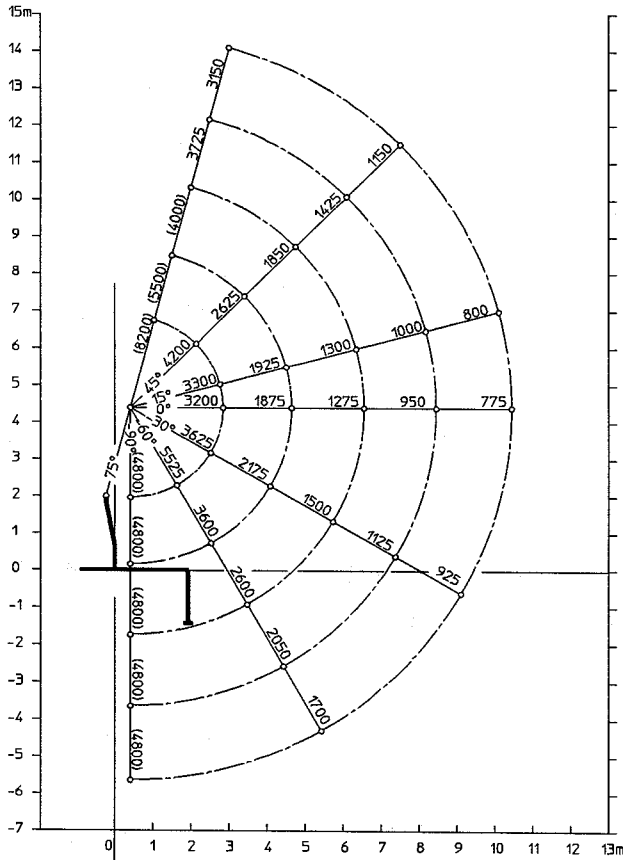


TECHNICAL INFORMATION, SERIES 1450

3 1 4938

Løfteevne ved varierende armstillinger, K4
 Lifting Capacity at Various Boom Positions, K4
 Tragkraft bei verschiedenen Armstellungen, K4

Side: 1 (1)
 Page: 1 (1)
 Date: 01-06-93
 Datum: 01-06-93





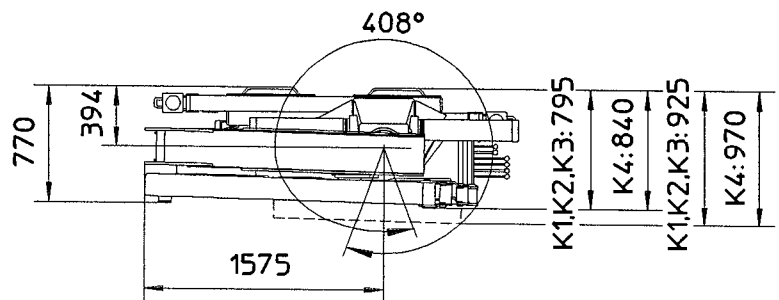
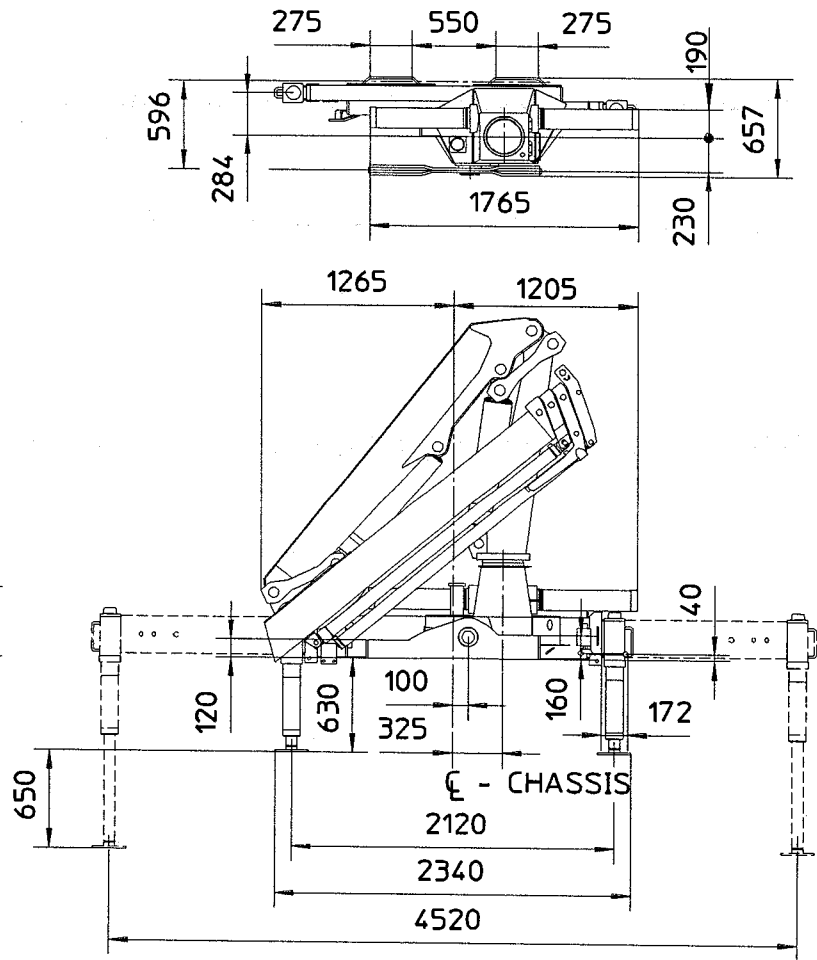
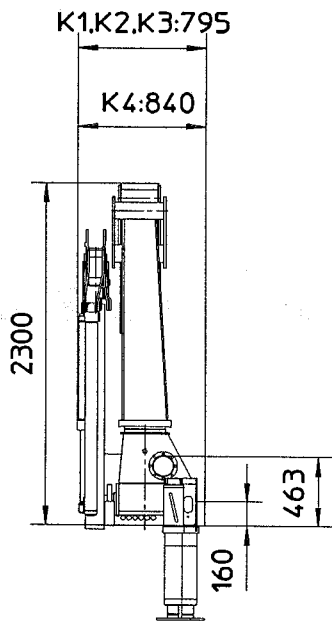
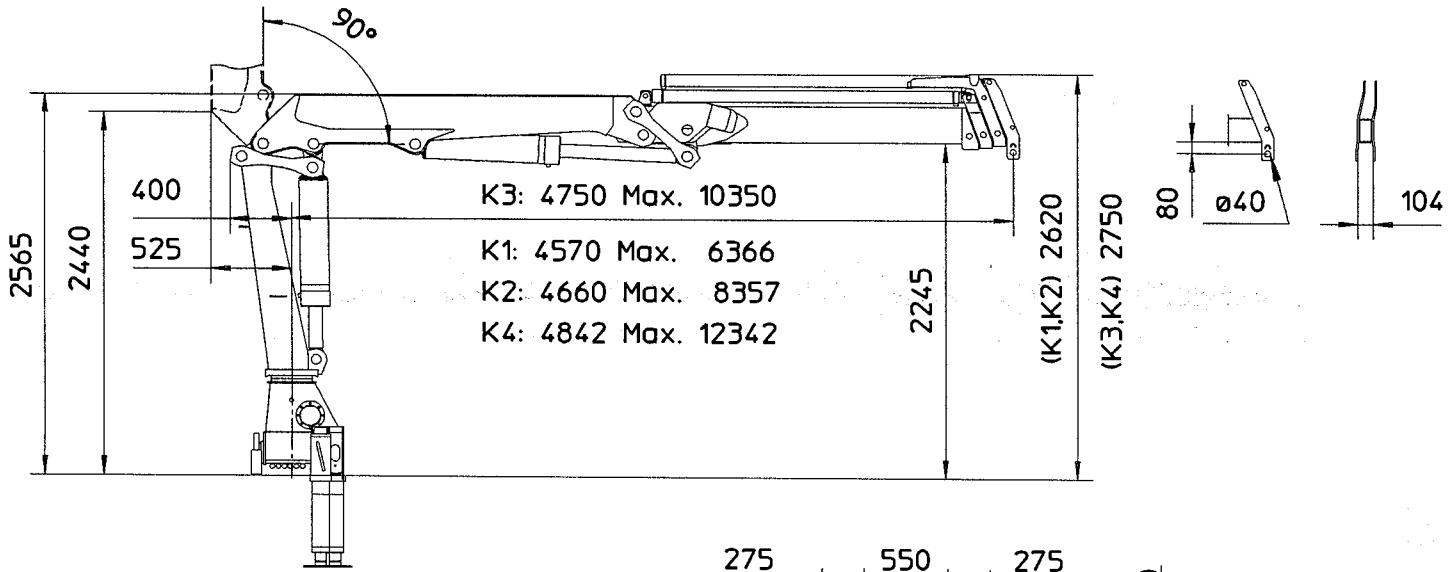
TECHNICAL INFORMATION, SERIES 1450

Målskitse
Dimension Sketch
Maßskizze

3 1 4940

Side:
Page: 1 (1)
Seite:

Date:
Date: 23-09-93
Datum:





Løftehøjde ved søjle
Lifting height at crane pillar
Hubhöhe an der Säule

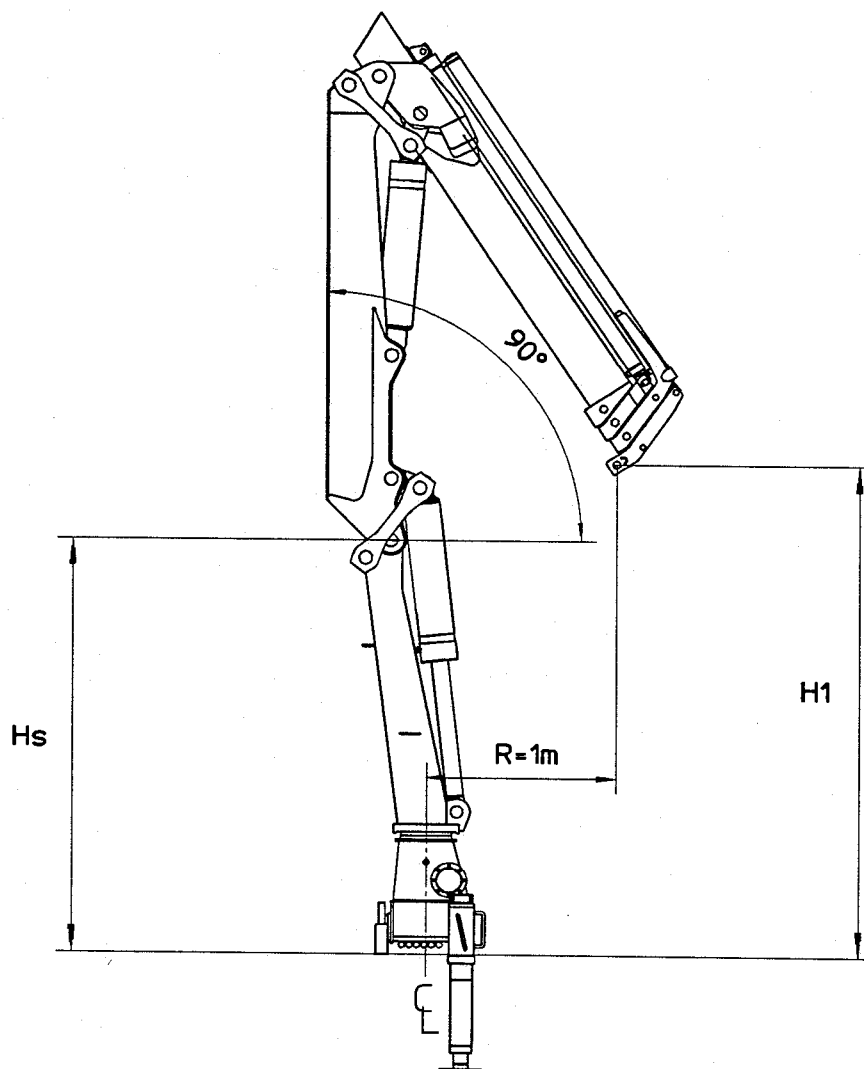
Side:

Page: 1 (1)

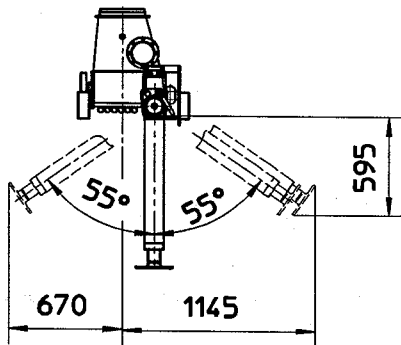
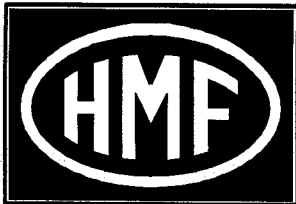
Seite:

Date:

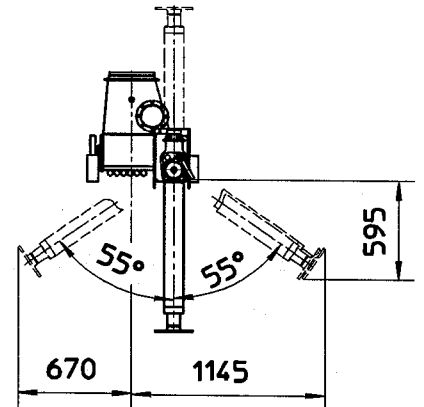
Date: 02-07-91



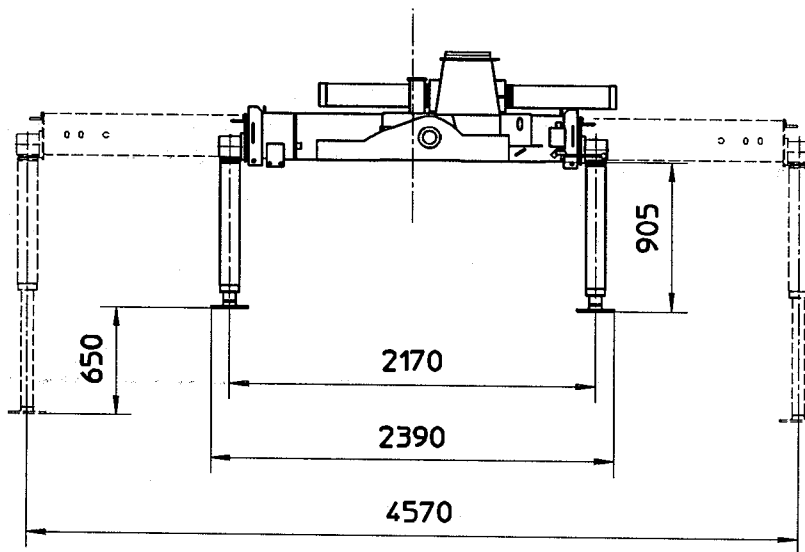
| | Hs | H1 |
|---------|-------|-------|
| S1450K1 | 2.22m | 2.85m |
| S1450K2 | 2.22m | 2.75m |
| S1450K3 | 2.22m | 2.64m |
| S1450K4 | 2.22m | 2.53m |



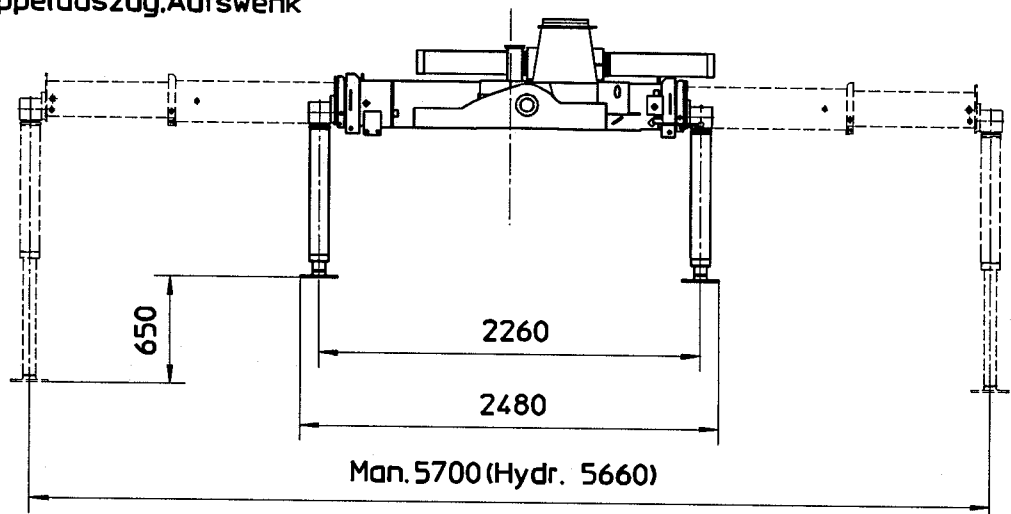
Opsvingelig støtteben
Swing-up stabilizer leg
Hochschwenkbare Stützbeine



Ekstraudstyr
Optional Extra
Sanderudrustung



Dobbelt udtræk,opsvingelig
Double Extension,Swing-up
Doppelauszug,Aufswenk



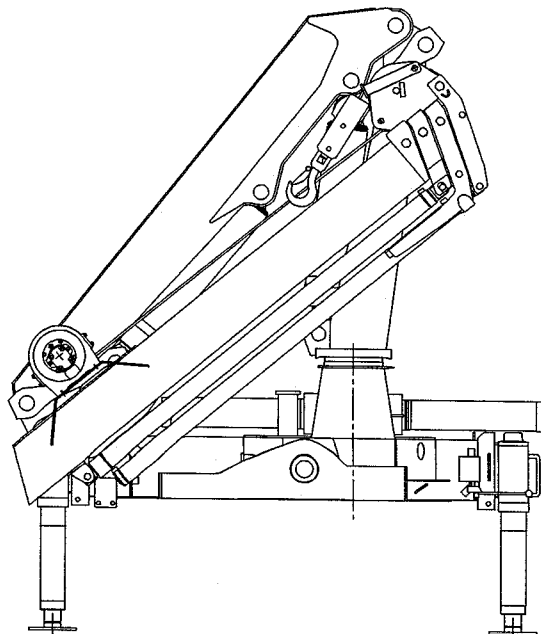
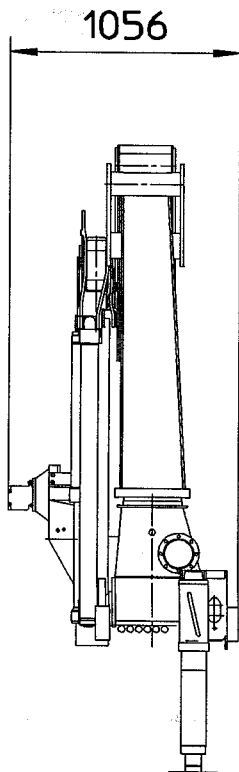
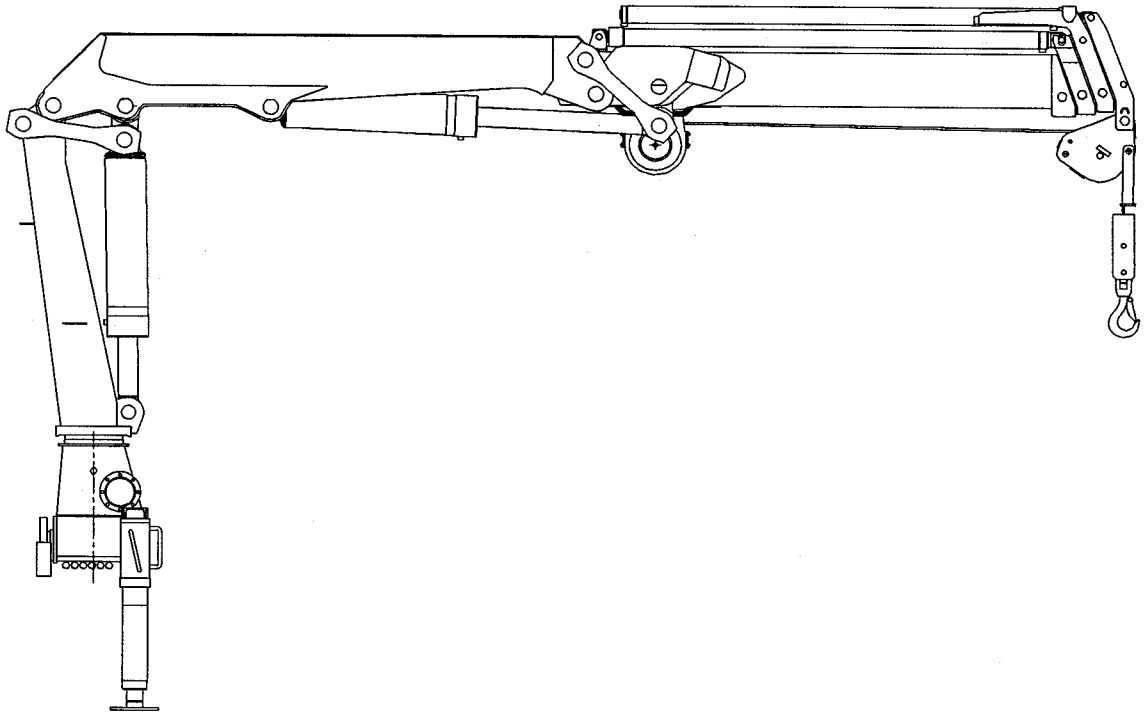


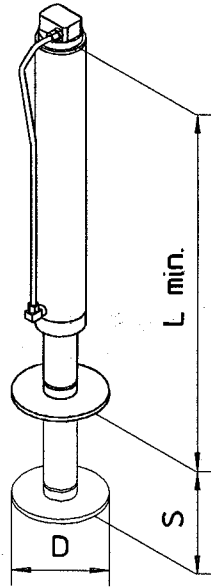
TECHNICAL INFORMATION, SERIES 1450

3 1 4951

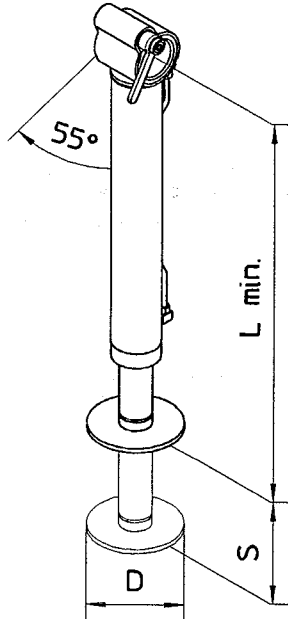
Målskitse af spil, type PL4
Dimension Sketch, Winch PL4
Maßskizze, Zeilwinde PL4

Side:
Page: 1 (1)
Seite:
Date:
Date: 17-11-92
Datum:

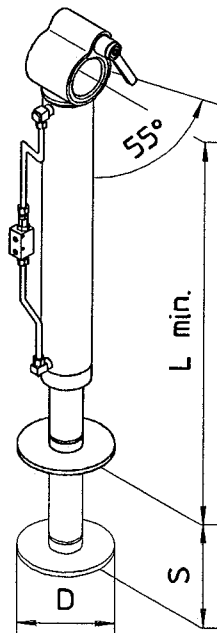




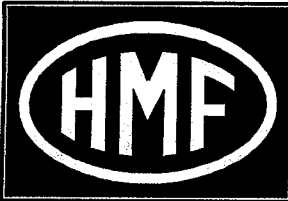
| TYPE | V 650 | |
|--------|-----------|--|
| No. | 61 82 850 | |
| L | 895 | |
| S | 650 | |
| P max. | 12 T | |
| D | 220 | |



| TYPE | R 500 | R 650 | |
|--------|-----------|-----------|--|
| No. | 60 46 460 | 61 80 920 | |
| L | 815 | 965 | |
| S | 500 | 650 | |
| P max. | 12 T | 12 T | |
| D | 220 | 220 | |



| TYPE | R 500 | R 650 | |
|--------|-----------|-----------|--|
| No. | 60 46 450 | 61 80 930 | |
| L | 815 | 965 | |
| S | 500 | 650 | |
| P max. | 12 T | 12 T | |
| D | 220 | 220 | |

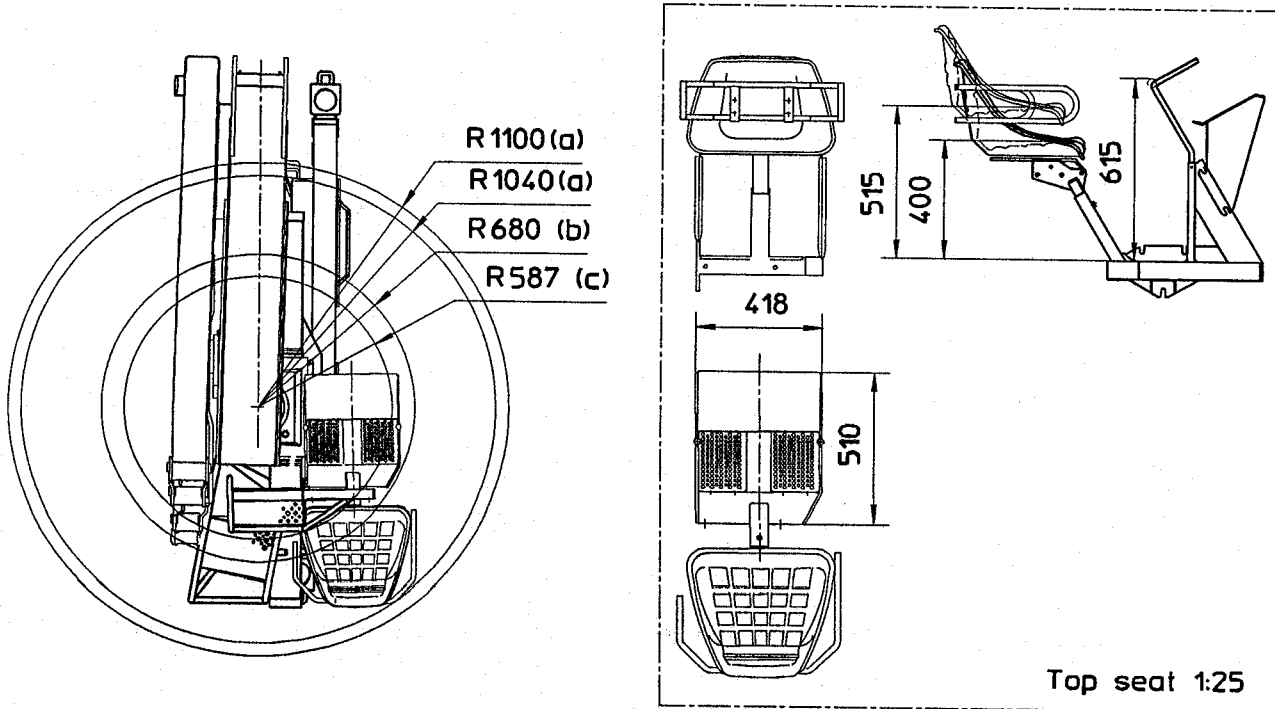
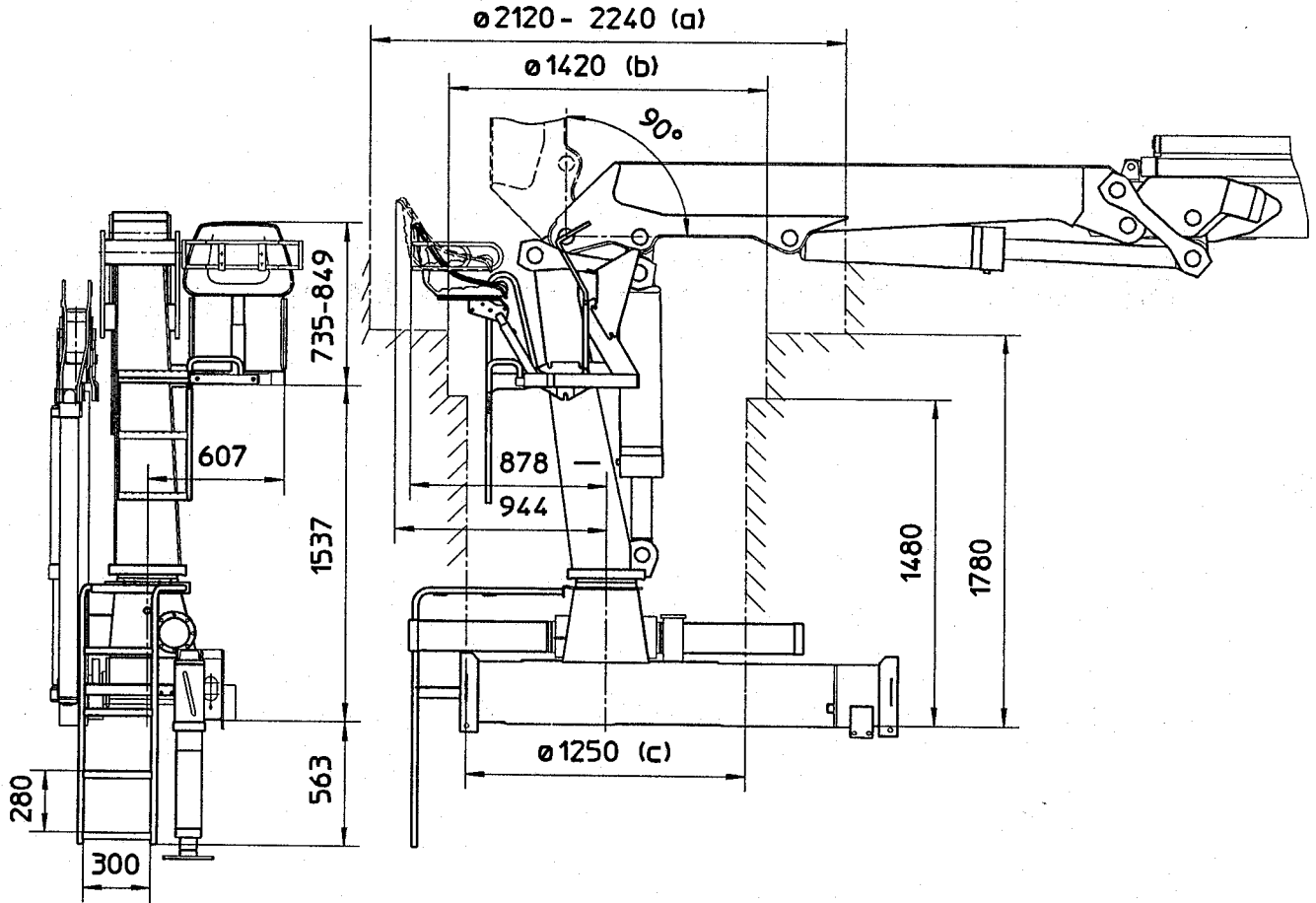


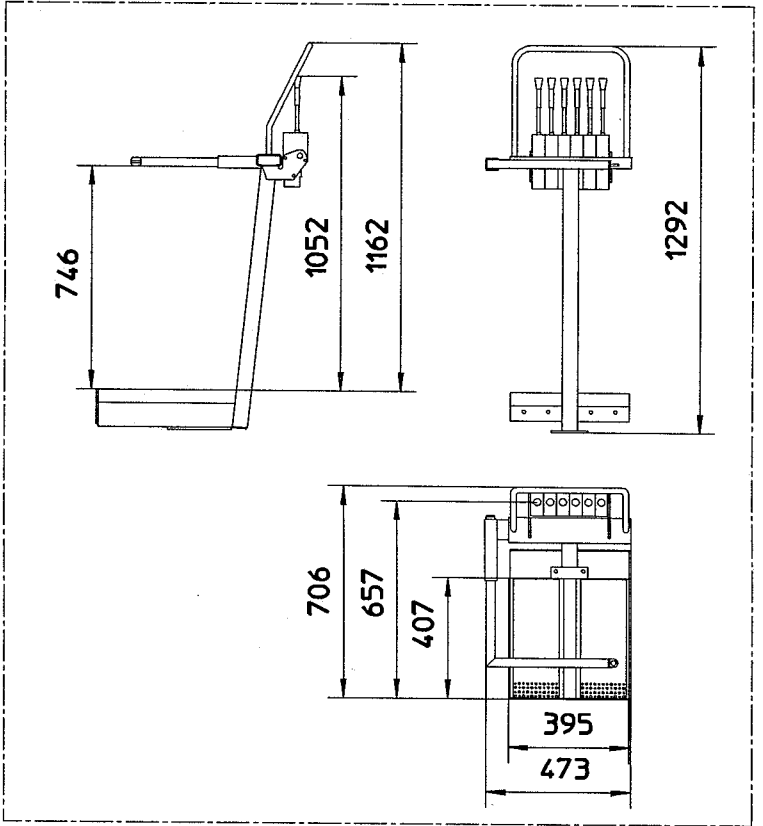
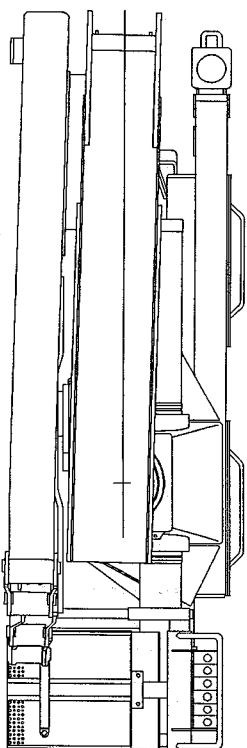
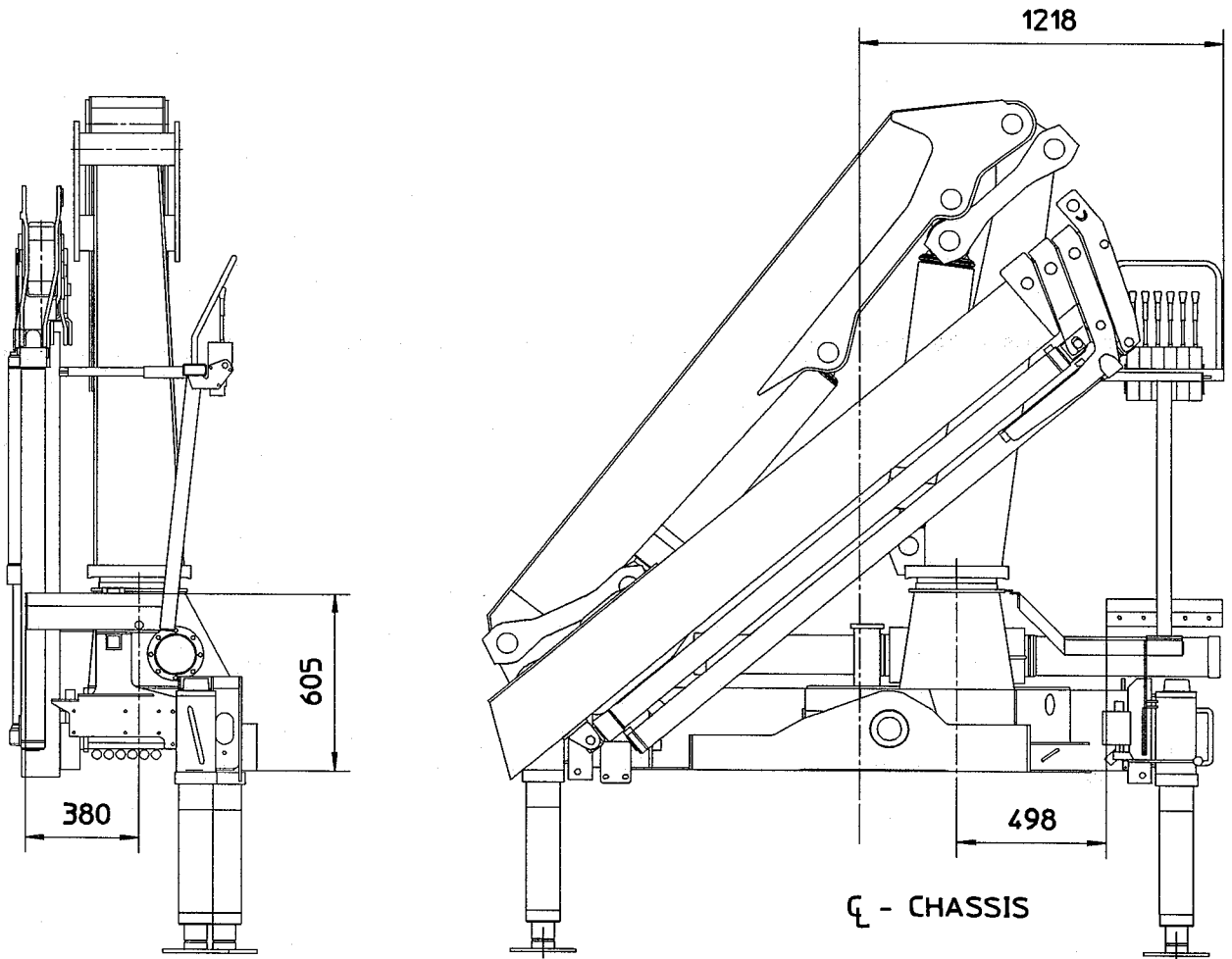
TECHNICAL INFORMATION, SERIES 1450

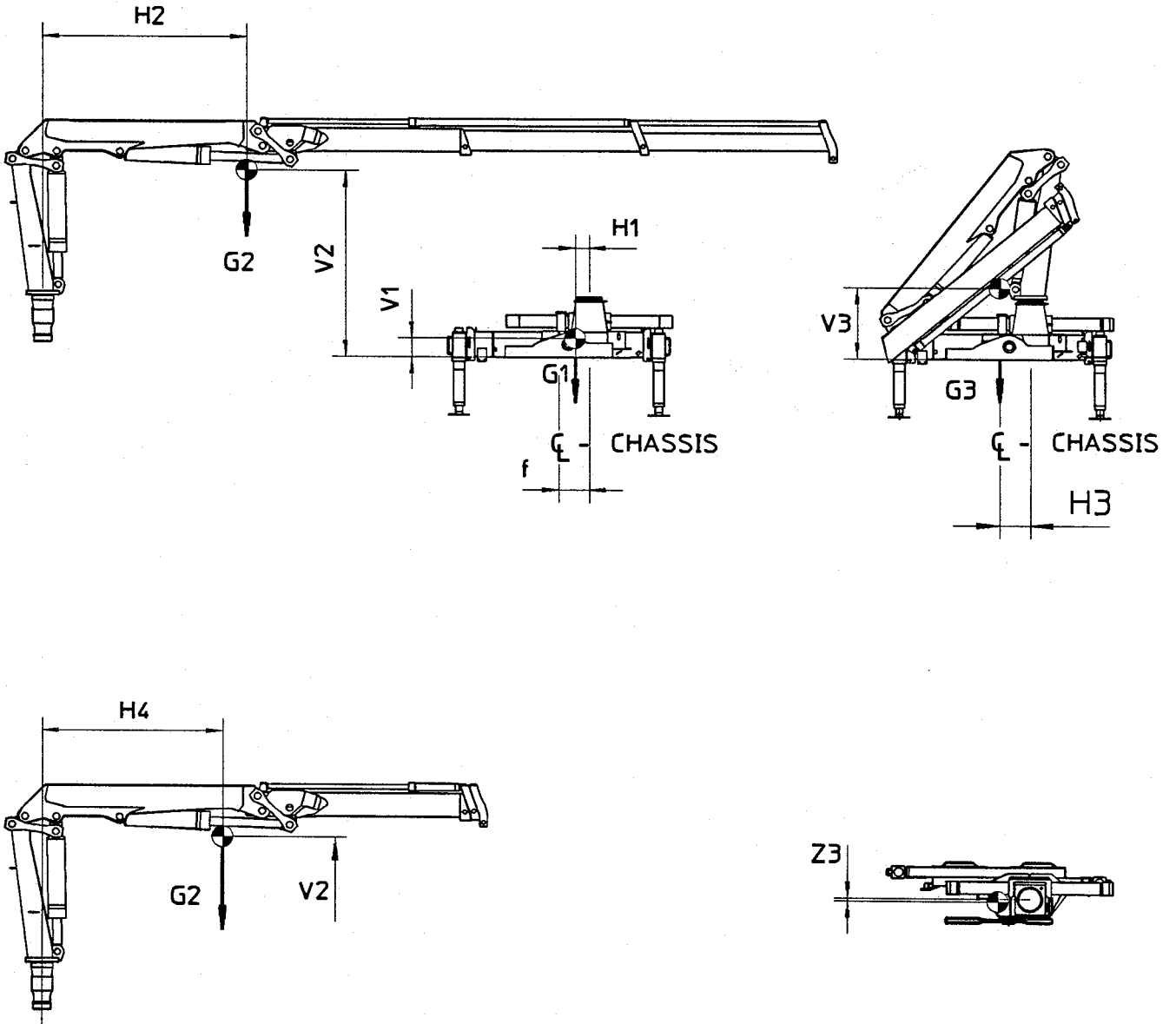
3 1 4953

Målskitse, nakkemontering - TS 7
Dimension Sketch, Top Seat - TS 7
Maßskizze, Hochsitz - TS 7

Side:
Page: 1 (1)
Sette:
Date:
Date: 01.11.95
Def:um:







| Model | V1 | V2 | V3 | H1 | H2 | H3 | H4 | Z3 | f | G1 | G2 | G3 |
|---------|-----|------|-----|-----|------|-----|------|----|-----|-----|------|------|
| 1450 K1 | 210 | 1990 | 750 | 150 | 1600 | 330 | 1450 | 10 | 325 | 760 | 1110 | 1870 |
| 1450 K2 | 210 | 2030 | 780 | 150 | 2150 | 325 | 1725 | 30 | 325 | 760 | 1250 | 2010 |
| 1450 K3 | 210 | 2060 | 800 | 150 | 2800 | 320 | 1900 | 50 | 325 | 760 | 1380 | 2140 |
| 1450 K4 | 210 | 2090 | 810 | 150 | 3350 | 320 | 2025 | 60 | 325 | 760 | 1490 | 2250 |



TECHNICAL INFORMATION, SERIES 1450

3 1 4976

Tyngdepunkter af forlængerarme, K1, K2, K3, K4

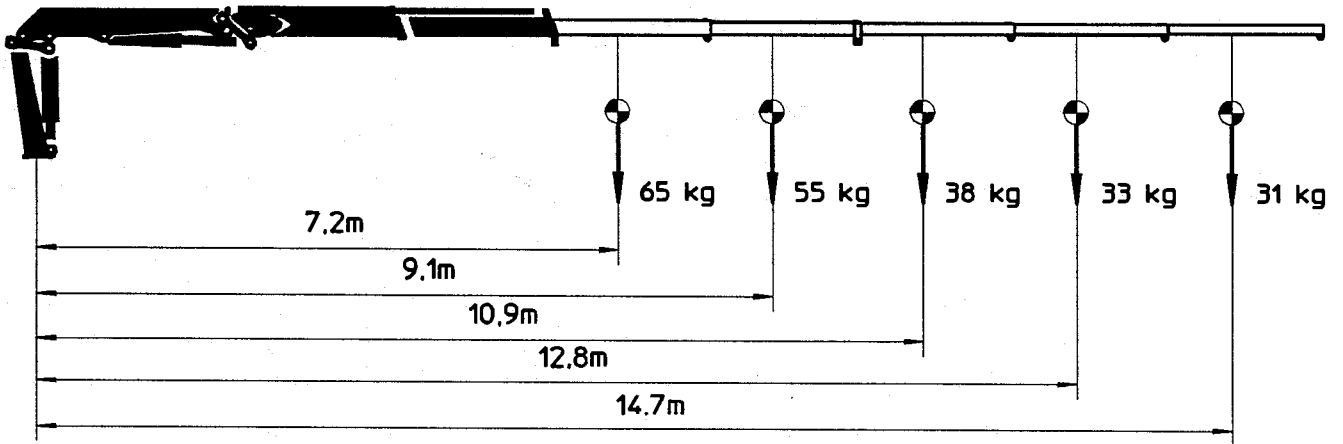
Side:
Page: 1 (1)

Centres of gravity of extensions, K1, K2, K3, K4

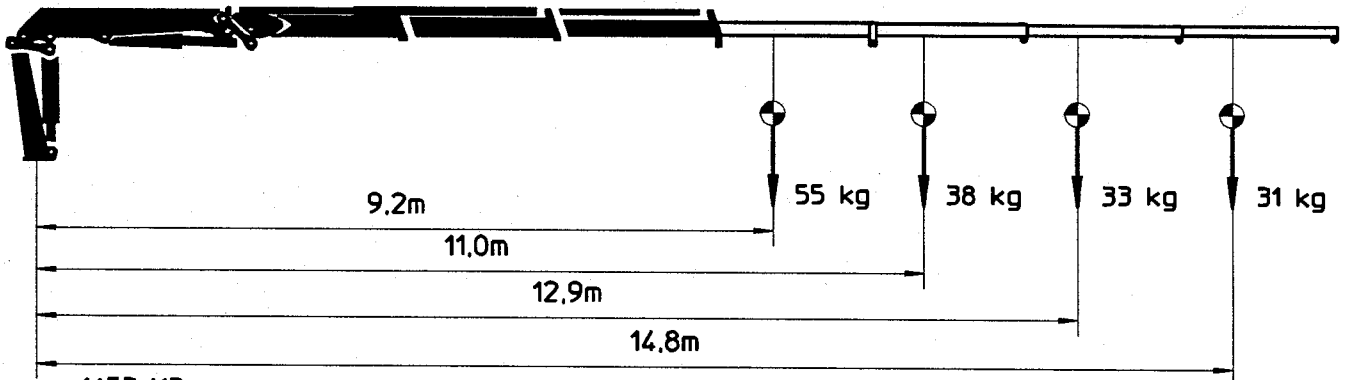
Seite:
Date:
Datum: 01-11-92

Schwerpunkte der Verlängerungen, K1, K2, K3, K4

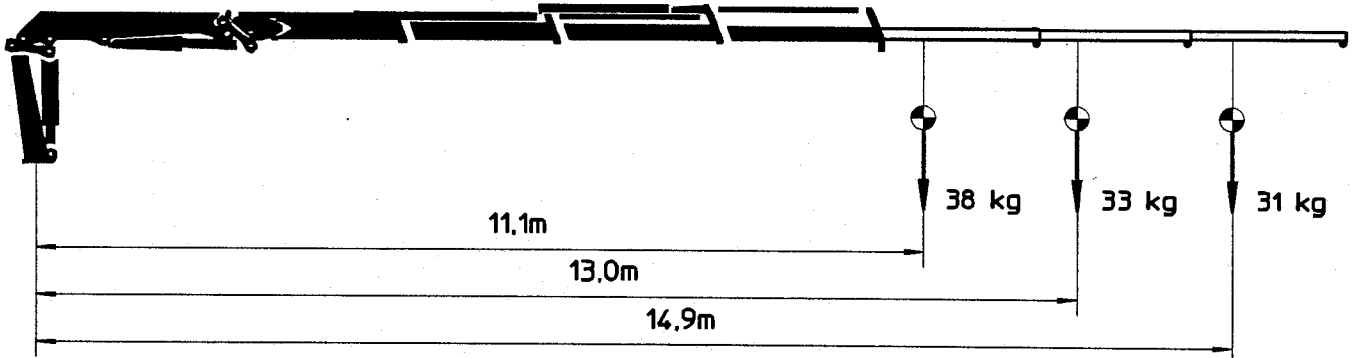
1453 K1



1453 K2



1453 K3



1453 K4

